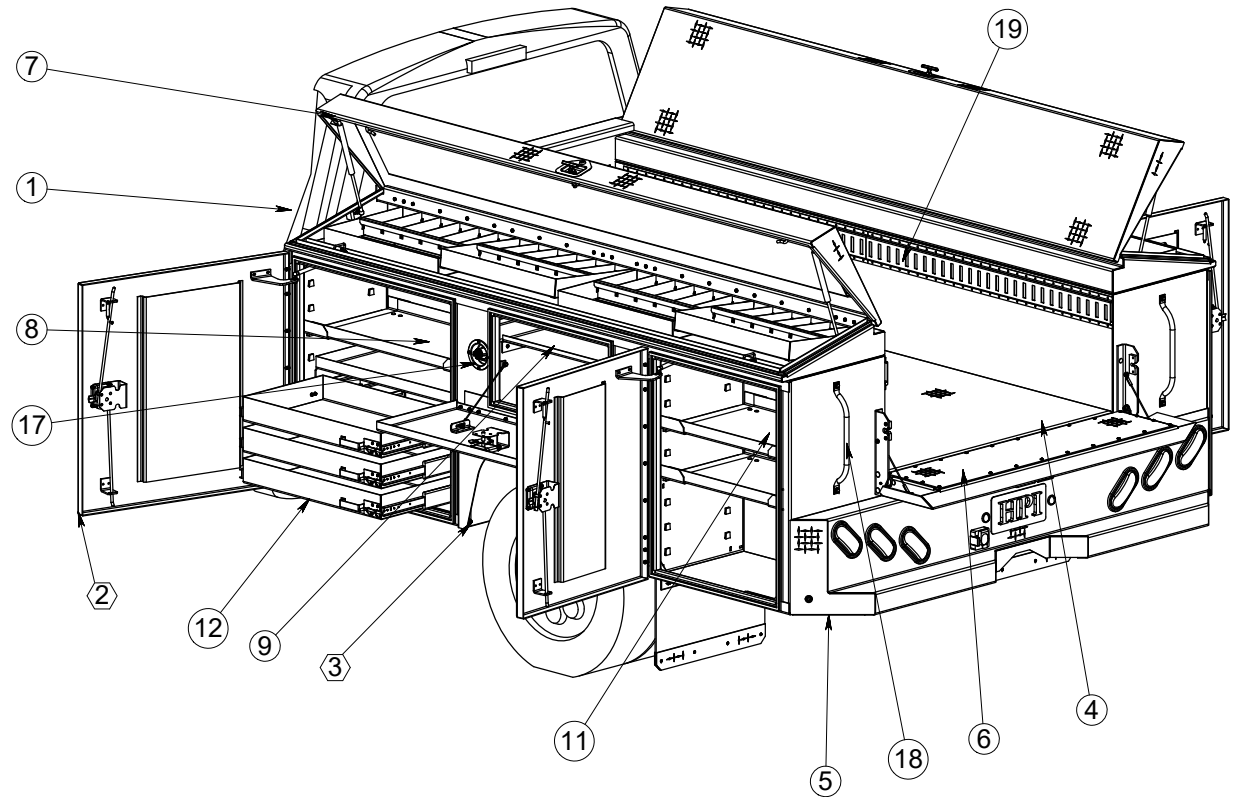


ITEM NO.	Assembly Desc	Project Number	QTY	FINISH
1	FRONT BRACE	9059-17-052	1	
2	SIDE COMPARTMENTS	590-21-004	1	BK181-DR
3	SKIRT SET	590-16-004	1	BK181
4	STD DECK	590-04-010	1	
5	BUMPER	590-06-002	1	
6	TAILGATE	590-05-001	1	
7	SNGL LID TOP BOX	590-07-043	2	
8	FRNT SHELF	590-11-004	2	
9	DS REMOVABLE SHELF	9059-11-069	1	
10	PS REMOVABLE SHELF	9054-794	1	
11	REAR SHELF	590-11-005	4	
12	3 DRAWER STACK	590-19-006	2	
13	TOP BOX TRAY	590-18-039	8	
14	DP MUD FLAP	550-18-008	1	
15	CAMERA MNT	590-15-001	1	
16	DIESEL FILL KIT	550-09-001	1	
17	DEF FILL KIT SB	550-09-004	1	
18	18" SS HANDLE	525-00014	2	
19	E-TRACK	250-01-054	4	
20	E-TRACK	250-01-048	1	
21	SINGLE LID TOP BOX LIGHT KIT	590-00058	1	N/A
22	BTM BOXES LIGHT KIT	590-00057	1	N/A
23	WIRING INSTALL KIT	590-22-002	1	N/A

TRUCK SPECIFICATIONS

2021 FORD F550
CHASSIS CAB
 CA= 60"
 FRAME AFT OF AXLE= 47.5"
 FRAME WIDTH= 34"
 TIRE SIZE= 32" ± 2"



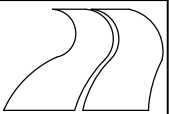
FINISH NOTES

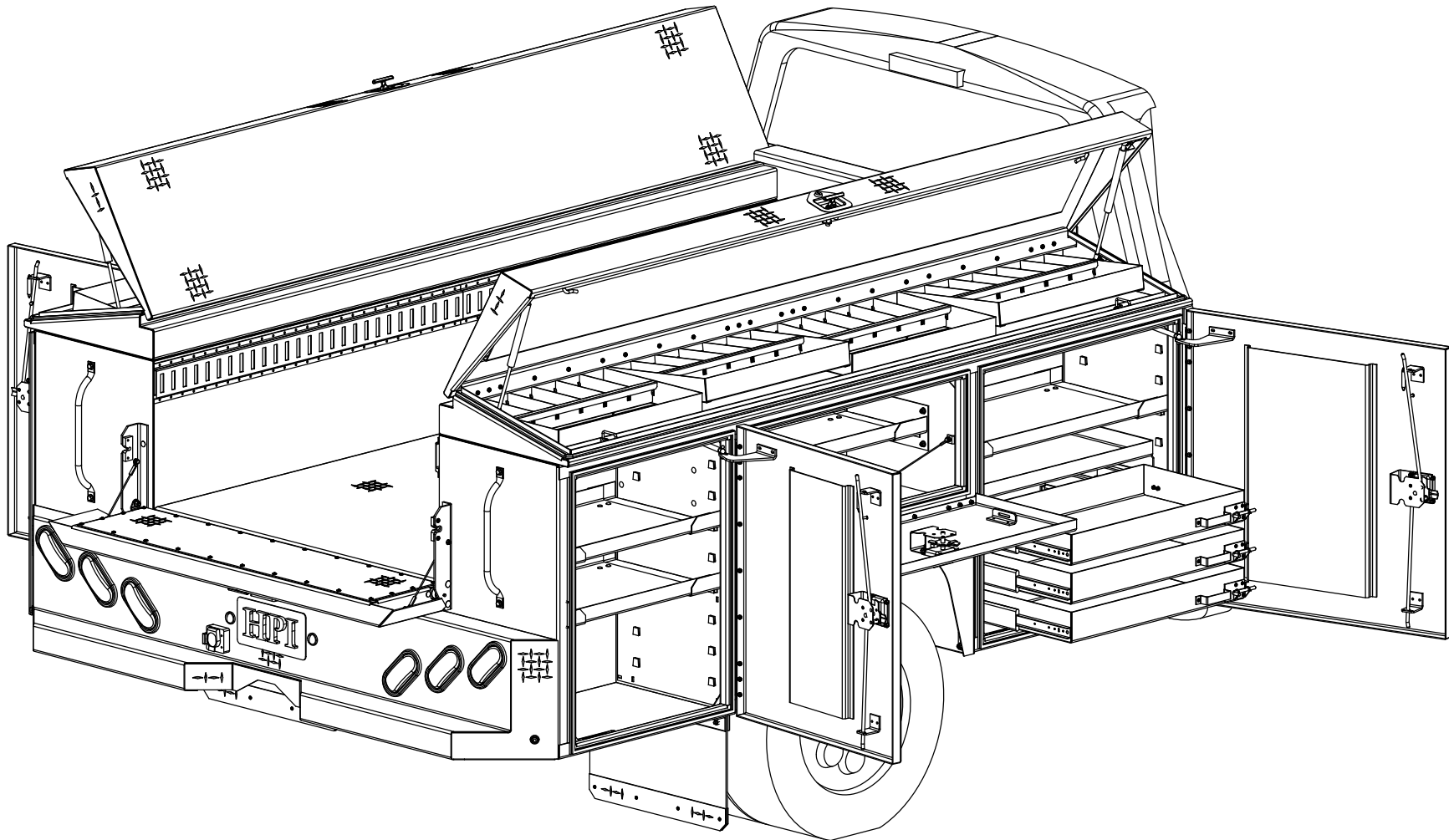
#	POWDER COAT & SHAVED
#	POWDER COAT
#	RAW or N/A
#	LINE-X
#	PAINT
#	PRIMER
**	SPECIAL NOTE

MATERIAL:		ALUMINUM		PROJECT #:	4052
FINISH:		DP & SMOOTH			
REVISION:	APVL BY:	ENG DATE:			
AA	EDG	04/13/2022			
Ov1					

110" x 38" x 96" SERVICE BODY

HIGHWAY PRODUCTS
 1-800-TOOL BOX
 FAX 1-800-465-9545
 800TOOLBOX.COM

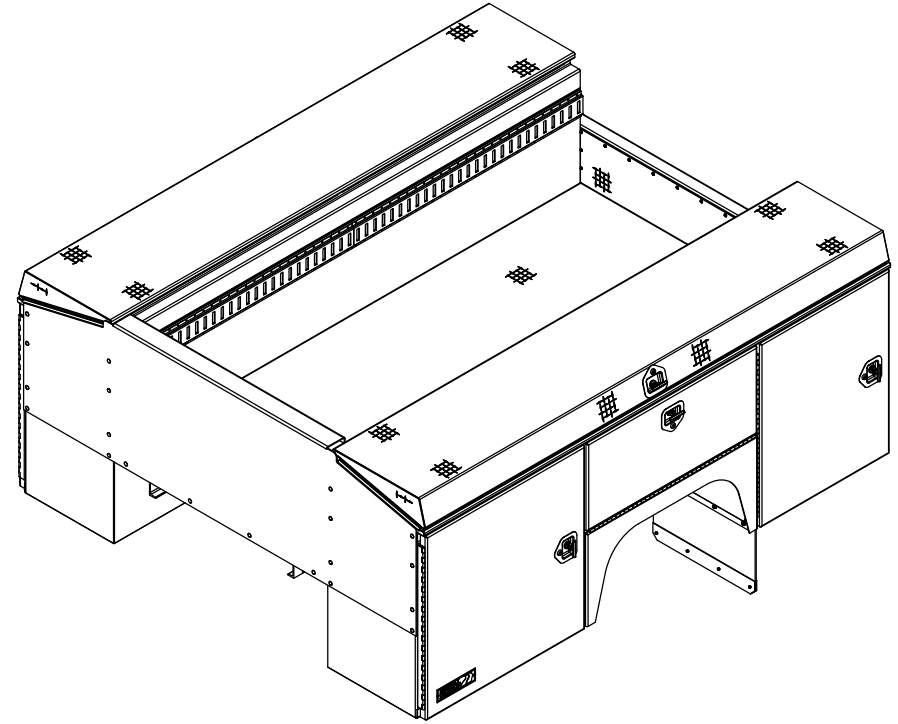
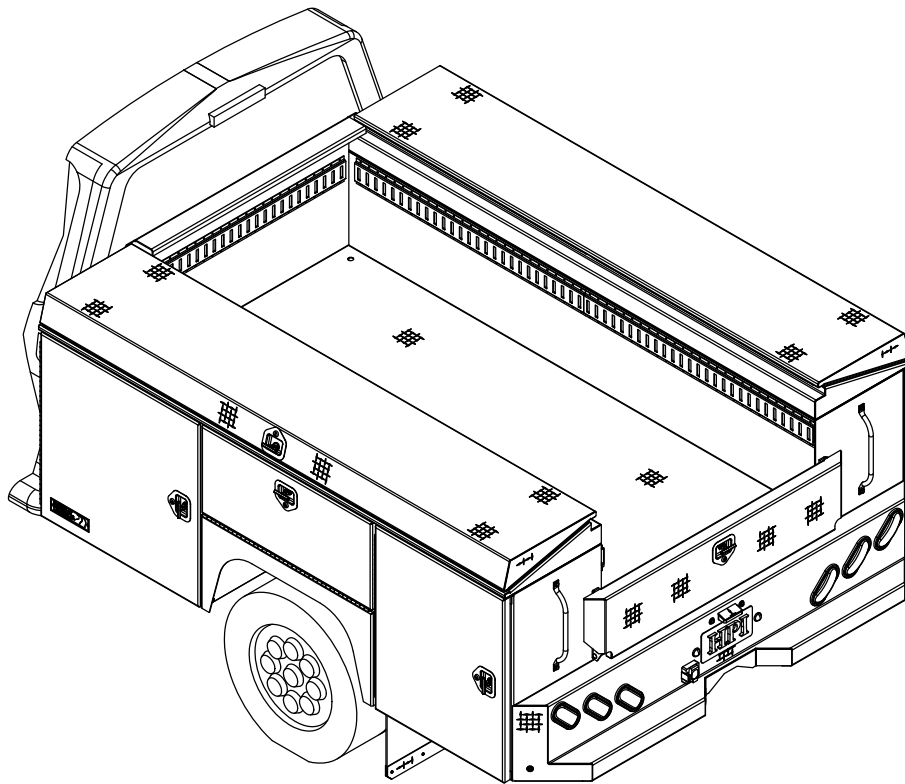




PS ISOMETRIC VIEW WITH THE DOORS OPEN

APPROVAL SIGNATURE _____

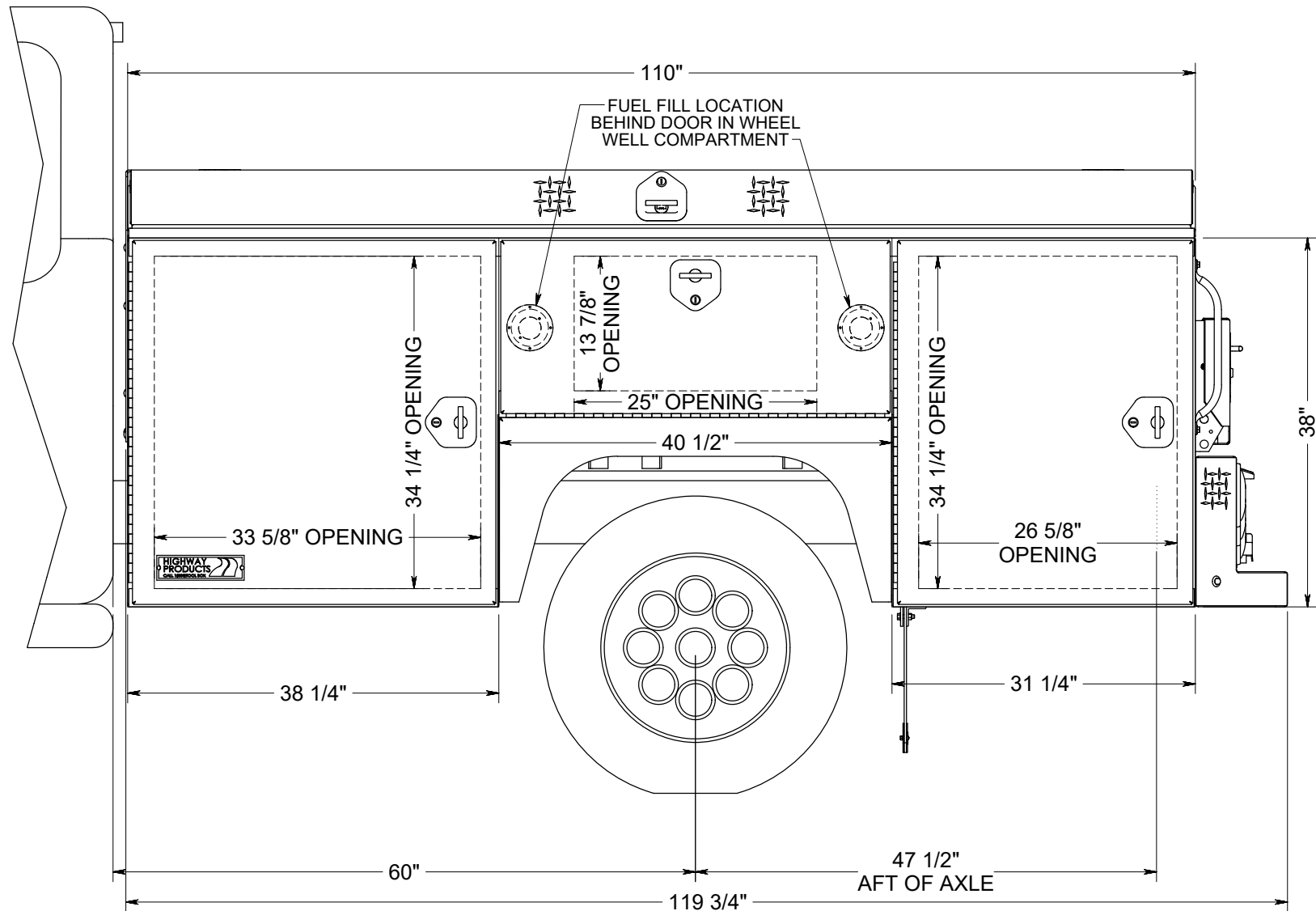
ESTIMATED LEAD TIME DOES NOT START UNTIL WE RECEIVE THIS PRINT WITH YOUR APPROVAL SIGNATURE ON IT WITH NO CHANGES



DS ISOMETRIC VIEW WITH THE DOORS CLOSED

APPROVAL SIGNATURE _____

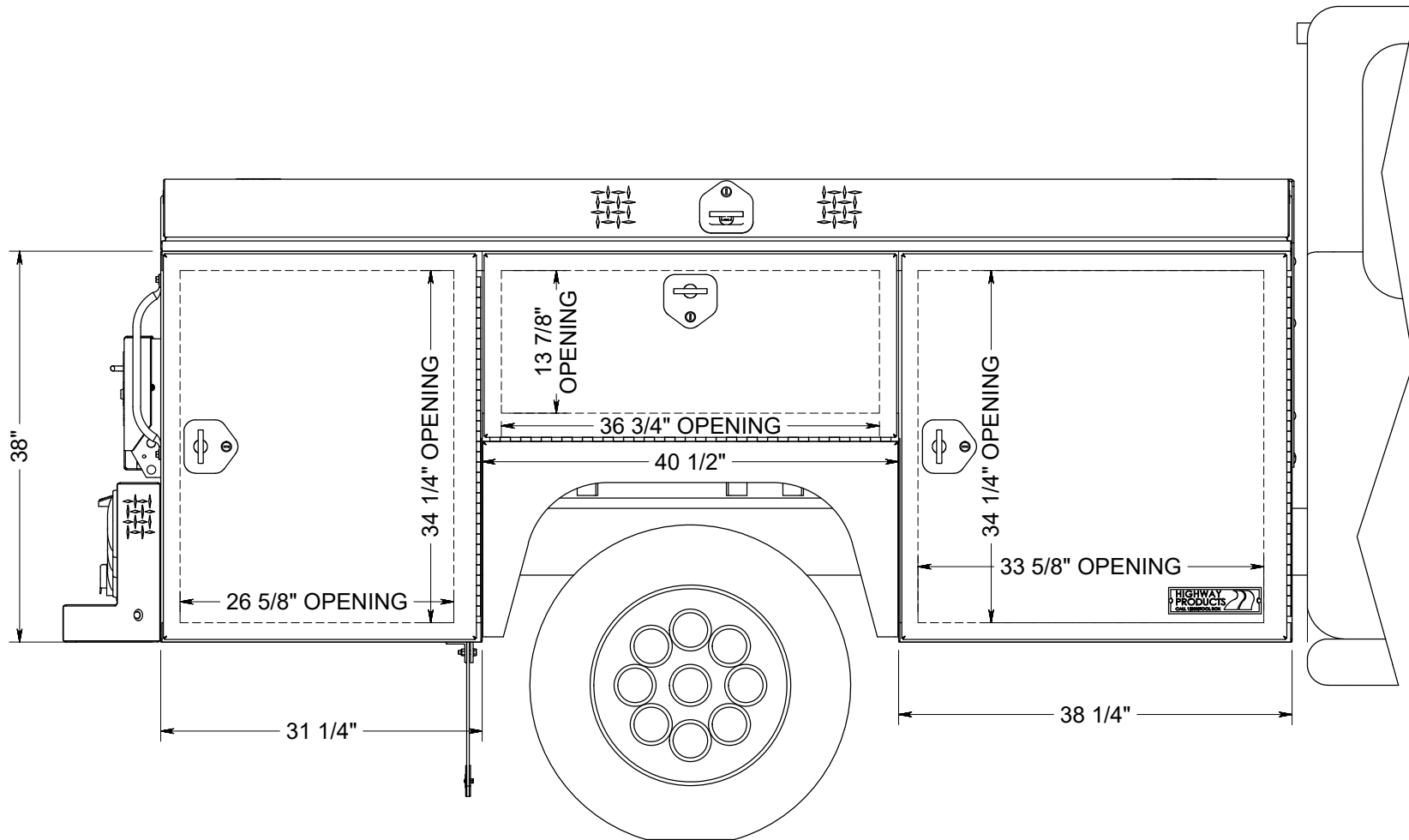
ESTIMATED LEAD TIME DOES NOT START UNTIL WE RECEIVE THIS PRINT WITH YOUR APPROVAL SIGNATURE ON IT WITH NO CHANGES



DS VIEW

APPROVAL SIGNATURE _____

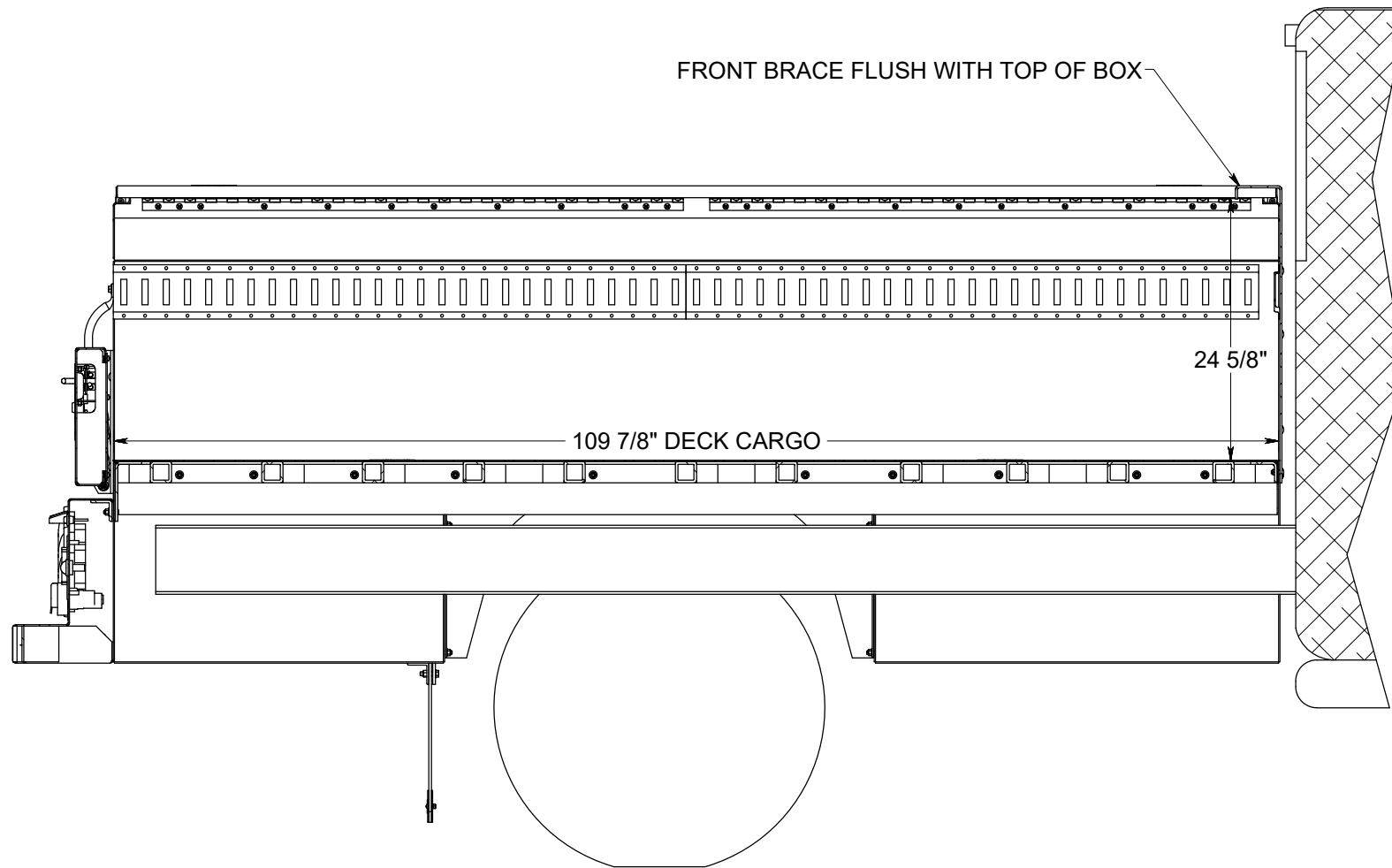
ESTIMATED LEAD TIME DOES NOT START UNTIL WE RECEIVE THIS PRINT WITH YOUR APPROVAL SIGNATURE ON IT WITH NO CHANGES



PS VIEW

APPROVAL SIGNATURE _____

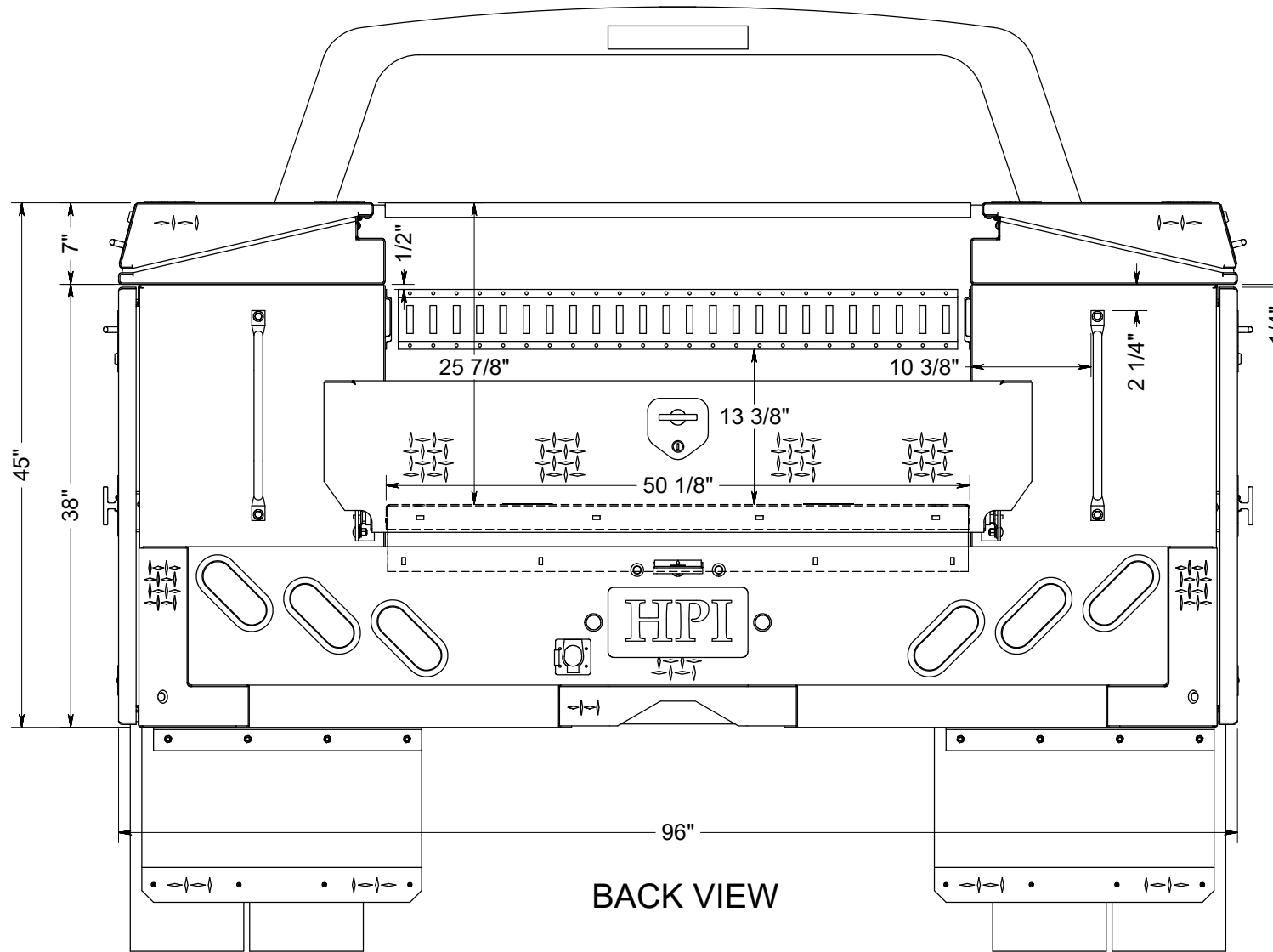
ESTIMATED LEAD TIME DOES NOT START UNTIL WE RECEIVE THIS PRINT WITH YOUR APPROVAL SIGNATURE ON IT WITH NO CHANGES



PS SECTION VIEW

APPROVAL SIGNATURE _____

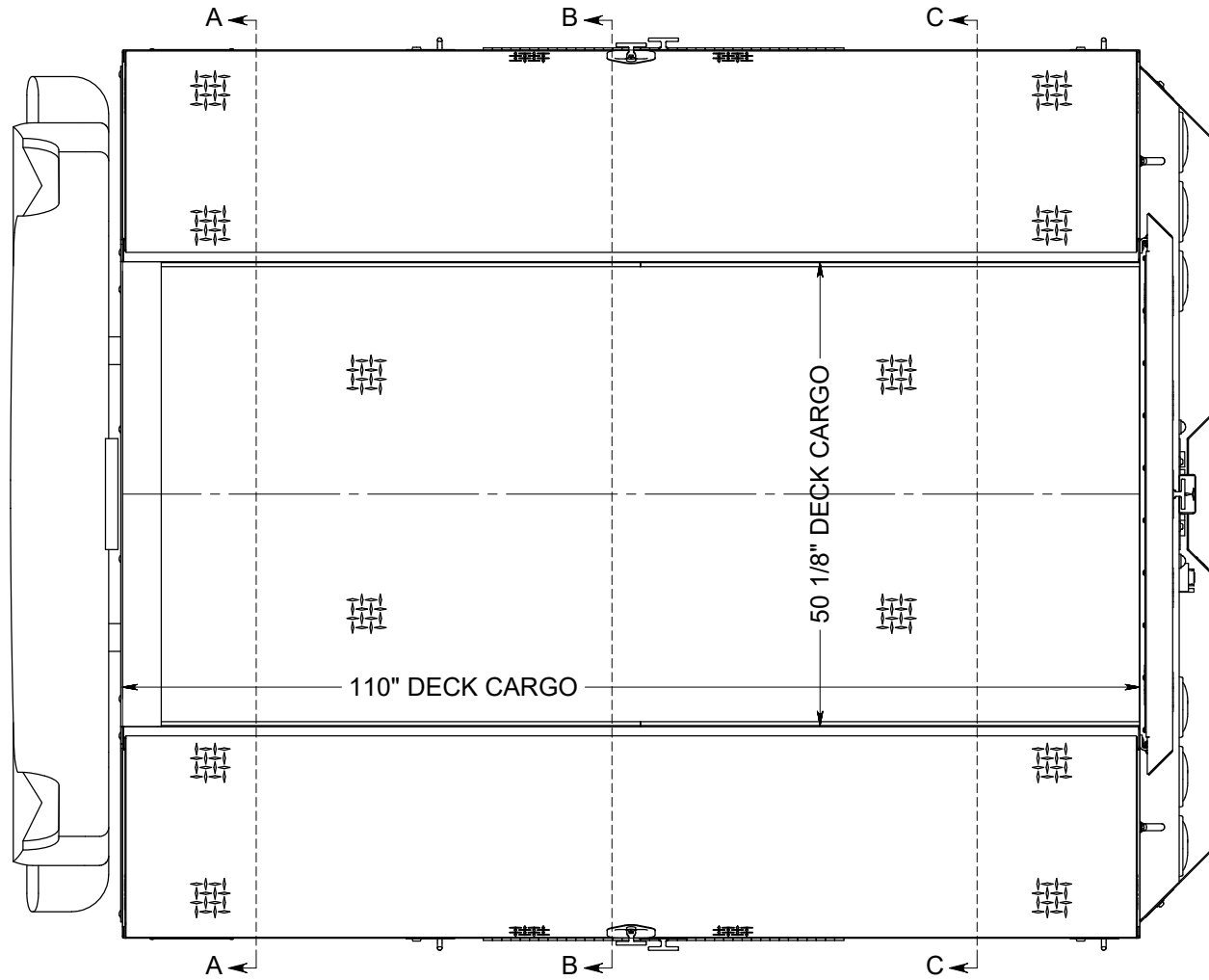
ESTIMATED LEAD TIME DOES NOT START UNTIL WE RECEIVE THIS PRINT WITH YOUR APPROVAL SIGNATURE ON IT WITH NO CHANGES



BACK VIEW

APPROVAL SIGNATURE _____

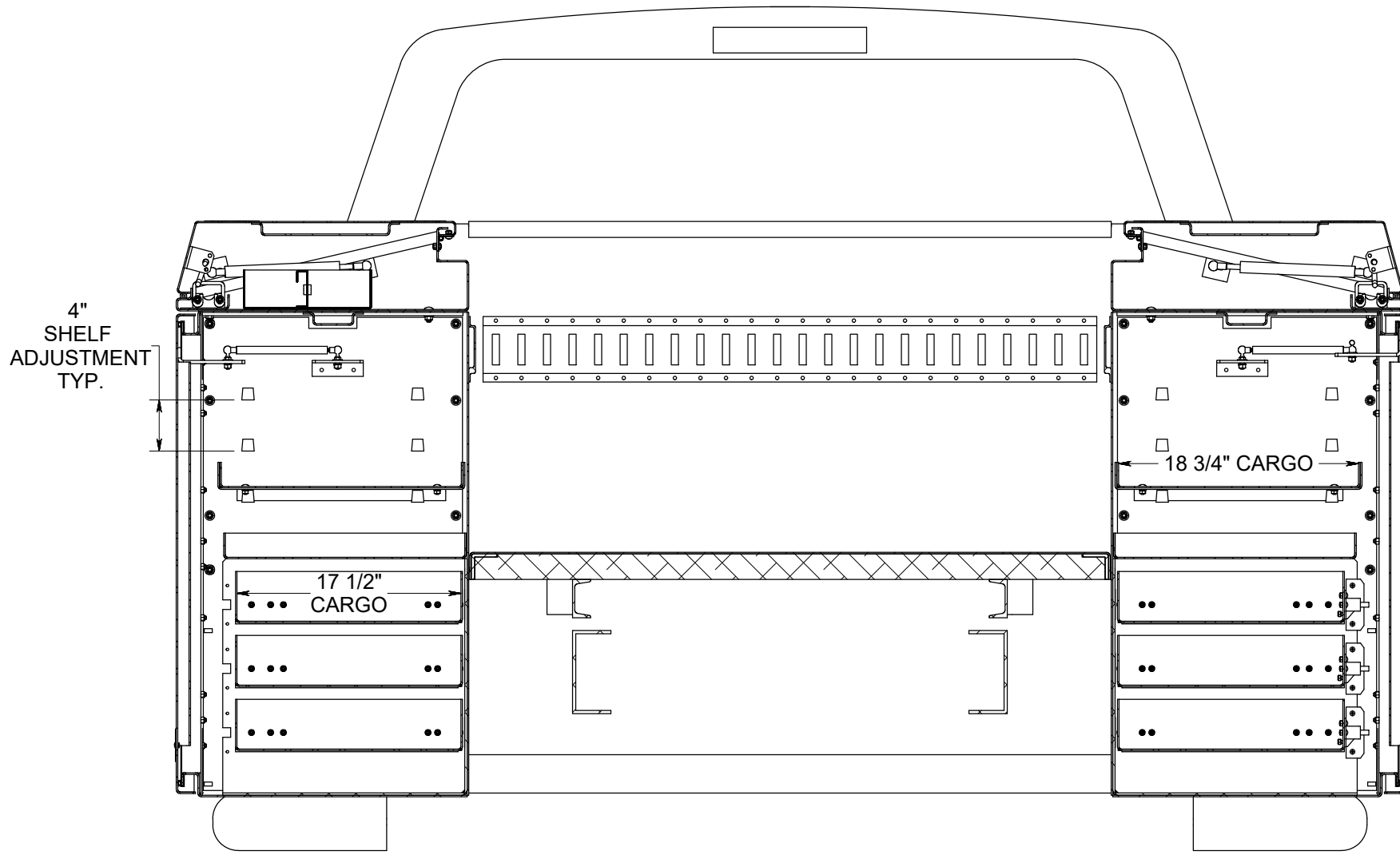
ESTIMATED LEAD TIME DOES NOT START UNTIL WE RECEIVE THIS PRINT WITH YOUR APPROVAL SIGNATURE ON IT WITH NO CHANGES



TOP VIEW

APPROVAL SIGNATURE _____

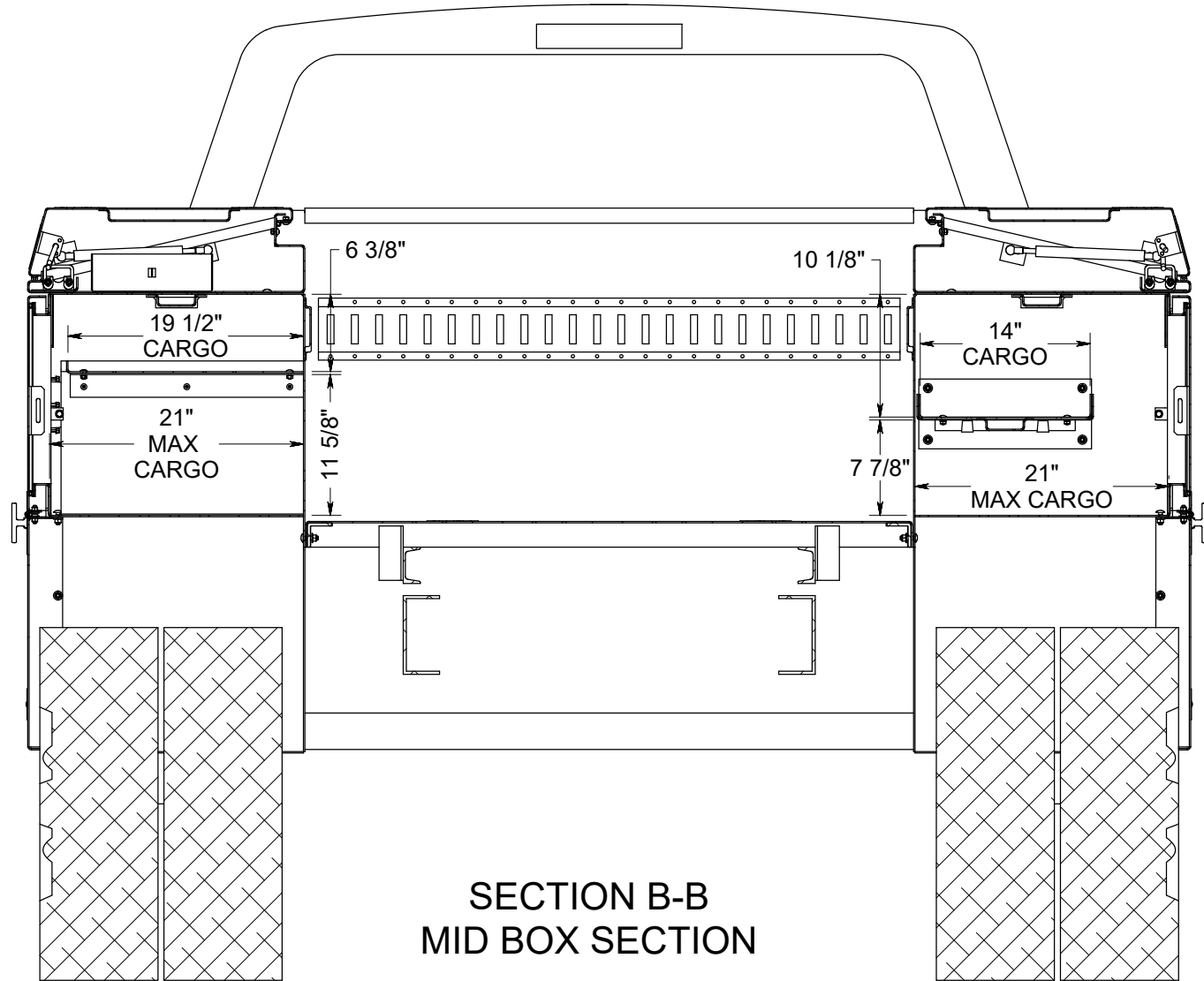
ESTIMATED LEAD TIME DOES NOT START UNTIL WE RECEIVE THIS PRINT WITH YOUR APPROVAL SIGNATURE ON IT WITH NO CHANGES



SECTION A-A
FRONT BOX SECTION

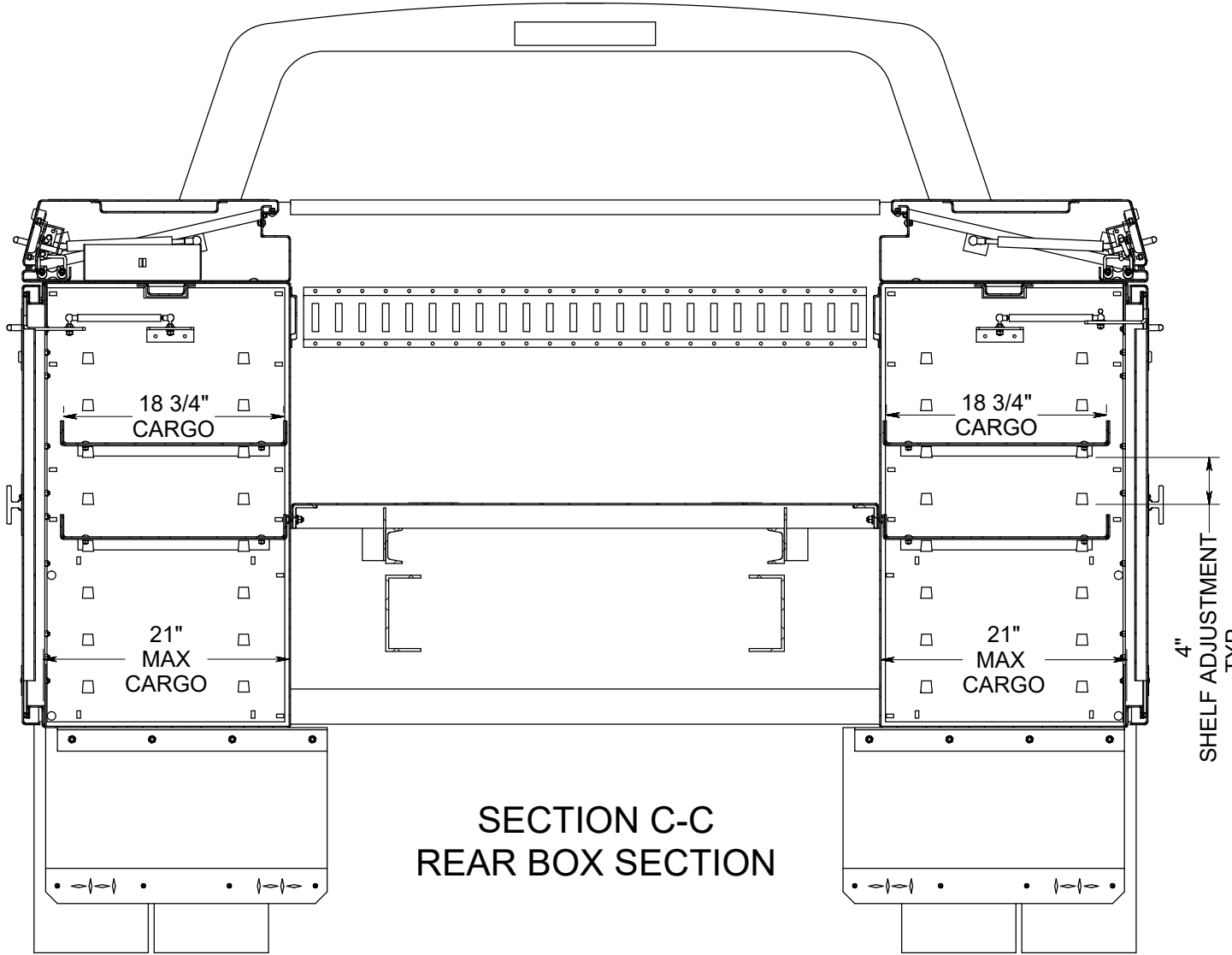
APPROVAL SIGNATURE _____

ESTIMATED LEAD TIME DOES NOT START UNTIL WE RECEIVE THIS PRINT WITH YOUR APPROVAL SIGNATURE ON IT WITH NO CHANGES



SECTION B-B
MID BOX SECTION

APPROVAL SIGNATURE _____
ESTIMATED LEAD TIME DOES NOT START UNTIL WE RECEIVE THIS
PRINT WITH YOUR APPROVAL SIGNATURE ON IT WITH NO CHANGES



SECTION C-C
REAR BOX SECTION

APPROVAL SIGNATURE _____

ESTIMATED LEAD TIME DOES NOT START UNTIL WE RECEIVE THIS
PRINT WITH YOUR APPROVAL SIGNATURE ON IT WITH NO CHANGES