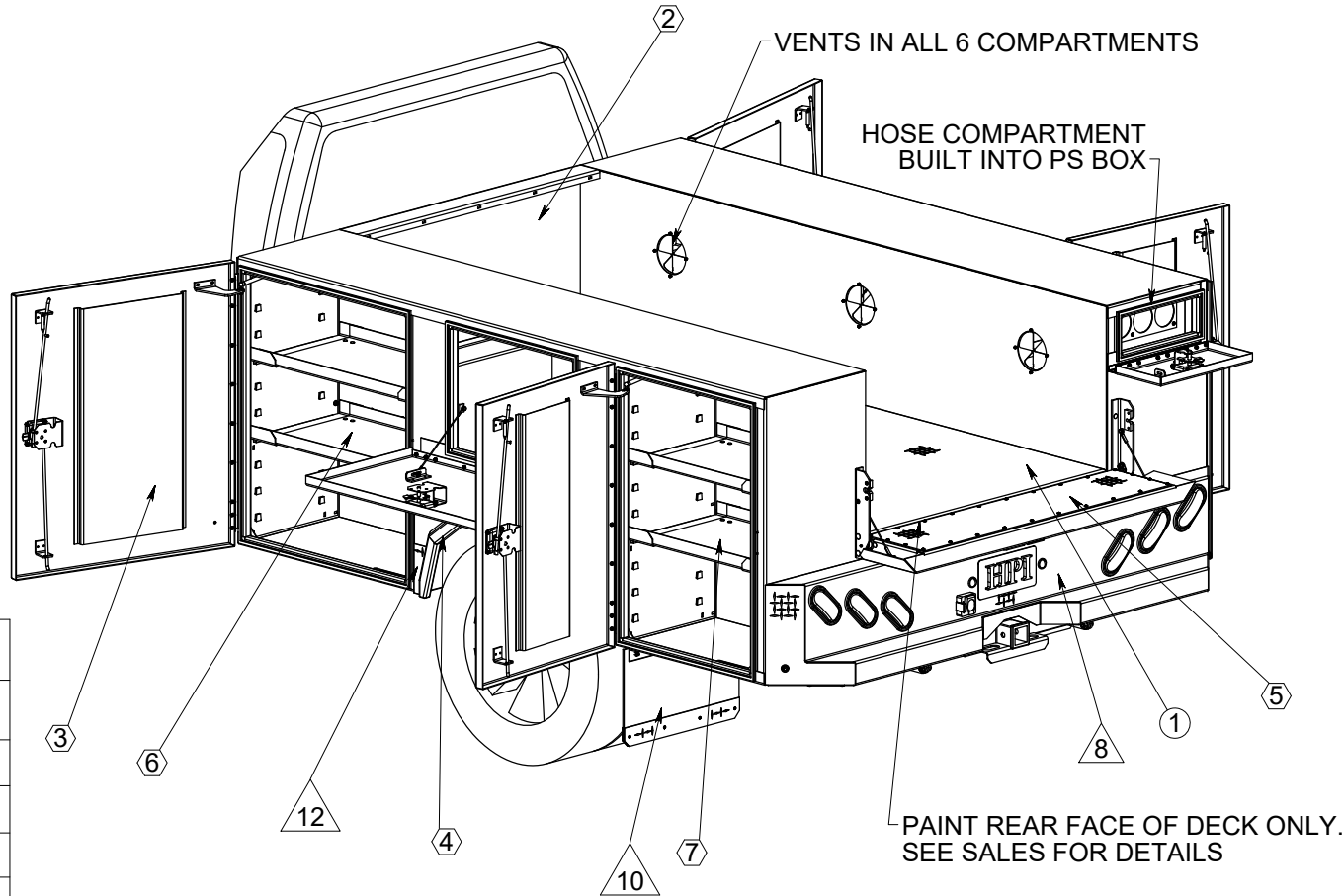


ITEM NO.	ASSEMBLY DESC	PROJECT NUMBER	QTY	FINISH
1	STD DECK	590-04-010	1	
2	FRONT BRACE	9059-17-044	1	070-PSS-4783**
3	SIDE COMPARTMENTS	9059-21-017	1	070-PSS-4783**
4	SKIRT SET	9059-16-034	1	070-PSS-4783**/ BK62**
5	TAILGATE	9059-05-019	1	070-PSS-4783**/ BK62S
6	FRNT SHELF	590-11-004	4	BK62
7	REAR SHELF	590-11-005	4	BK62
8	BUMPER	590-06-002	1	BK62S
9	FRONT OVERLAY KIT	590-13-003	1	BK62S
10	DP MUD FLAP	550-18-008	1	BK62S
11	CAMERA MNT	590-15-001	1	BK62S
12	SIDE OVERLAY KIT	9059-13-118	1	BK62S
13	BTM BOXES LIGHT KIT	590-00057	1	N/A
14	WIRING INSTALL KIT	590-22-004	1	N/A
15	BUMPER COVER	9059-99-072	1	

**FAB**

**TRUCK SPECIFICATIONS**  
**2022 DODGE**  
**CHASSIS CAB**  
**CA= 60"**  
**FRAME AFT OF AXLE= 51-1/8"**  
**FRAME WIDTH= 34"**  
**TIRE SIZE= 34" ± 2"**



**FINISH NOTES**

#	POWDER COAT & SHAVED
#	POWDER COAT
#	RAW or N/A
#	LINE-X
#	PAINT
#	PRIMER
**	SPECIAL NOTE

MATERIAL: **ALUMINUM** PROJECT #: **4055**

FINISH: **DP & SMOOTH**

REVISION: <b>AA</b>	APVL BY: <b>CRR</b>	ENG DATE: <b>08/12/2022</b>
Ov1		

**110" x 44 1/8" x 96" SERVICE BODY**  
**60" CA DRW**

HIGHWAY PRODUCTS  
 1-800-TOOL BOX  
 FAX 1-800-465-9545  
 800TOOLBOX.COM

