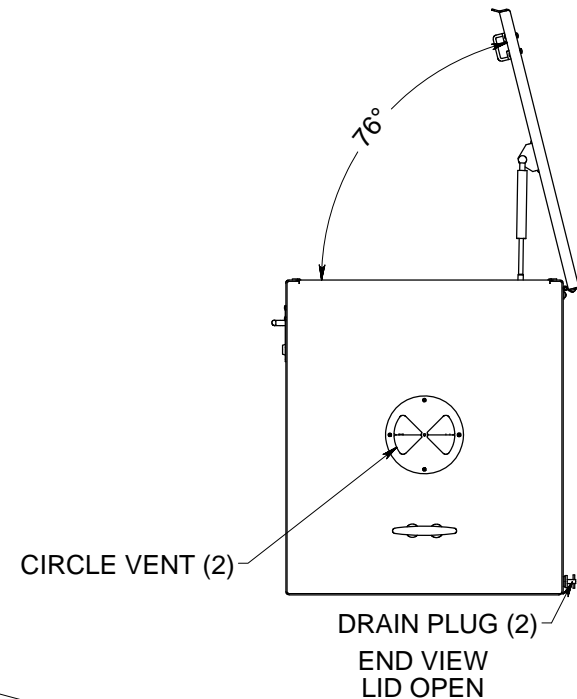
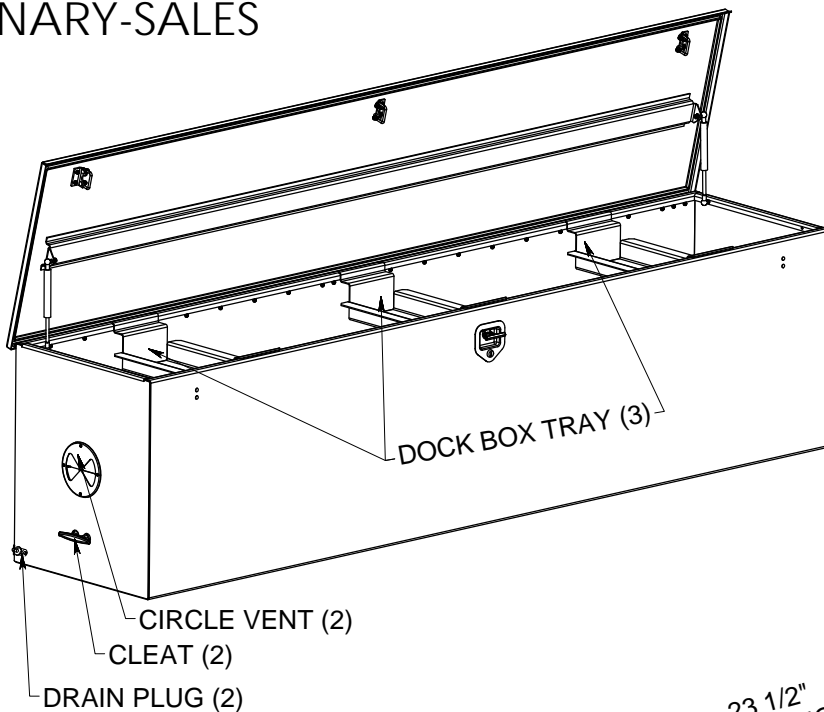
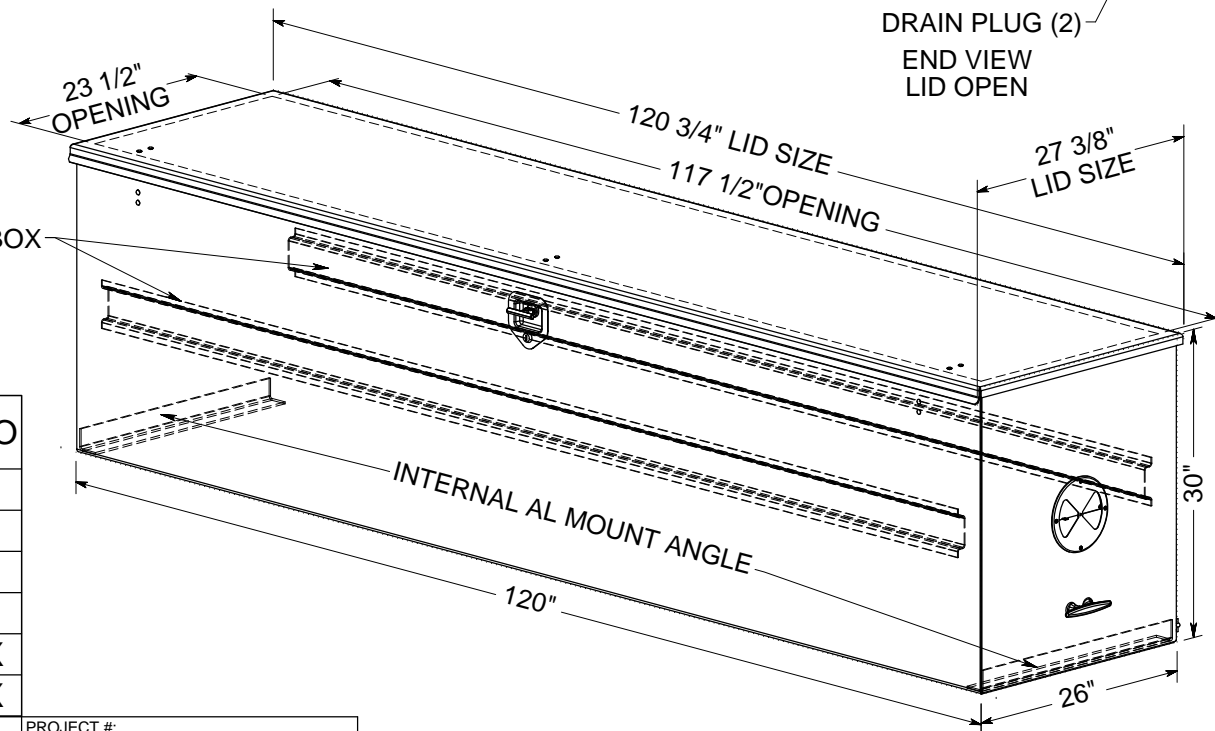


PRELIMINARY-SALES



PC LX FI



DOCK BOX

| OPTIONS | YES | NO |
|--------------|-----|----|
| LOCK | 3P | |
| ID PLATE | X | |
| GAS CYLINDER | X | |
| TRAY | X | |
| CHAINS | | X |
| DRAIN HOLES | | X |

| | | | | |
|-----------|----------------------|------------|------------|-------------|
| MATERIAL: | 1/8" ALUMINUM | | PROJECT #: | 3446 |
| FINISH: | SMOOTH | | | |
| REVISION: | APVL BY: | ENG DATE: | | |
| | JWC | 09/15/2020 | | |
| OV1 | | | | |

HIGHWAY PRODUCTS
 1-800-TOOL BOX
 FAX 1-800-465-9545
 800TOOLBOX.COM

