

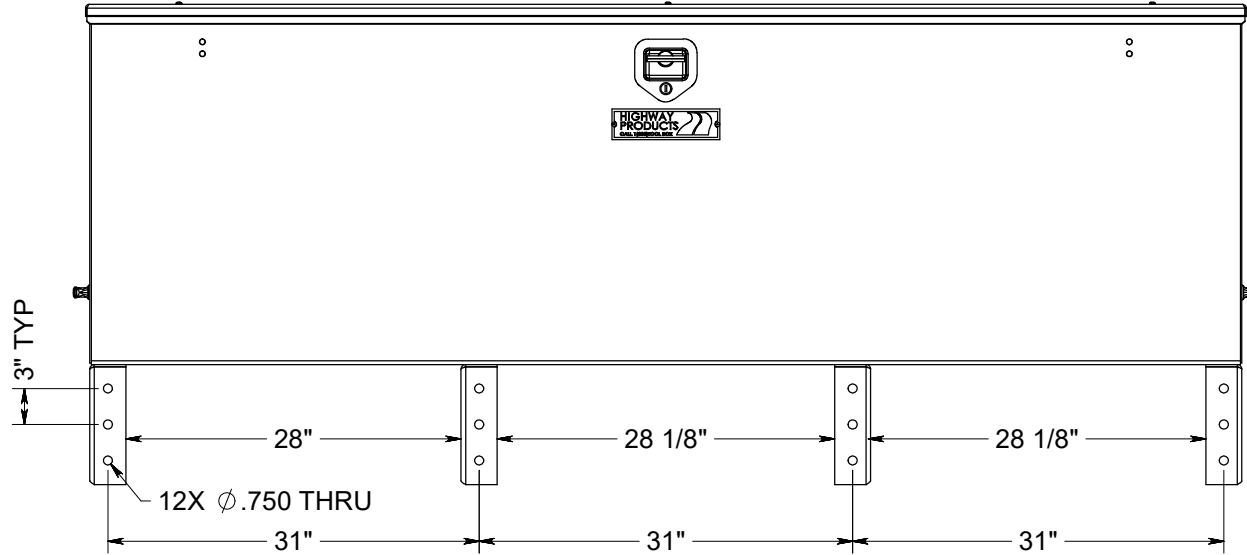
PC LX FI

OPTIONS	YES	NO
LOCK	3P	
ID PLATE	X	
GAS CYLINDER	X	
TRAY	X	
CHAINS		X
DRAIN HOLES		X

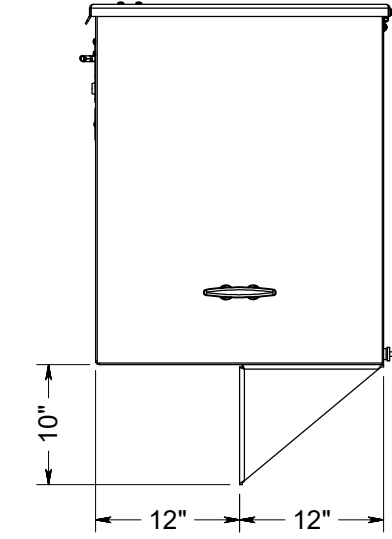
MATERIAL:	1/8" ALUMINUM	PROJECT #:	3843
FINISH:	SMOOTH		

REVISION:	APVL BY:	ENG DATE:
AA	EDG	09/22/2021
Ov1		

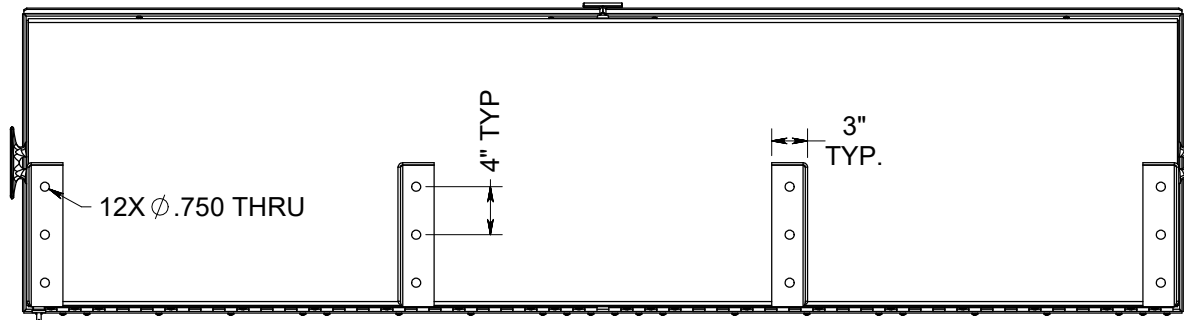
DOCK BOX



FRONT VIEW



SIDE VIEW



BOTTOM VIEW