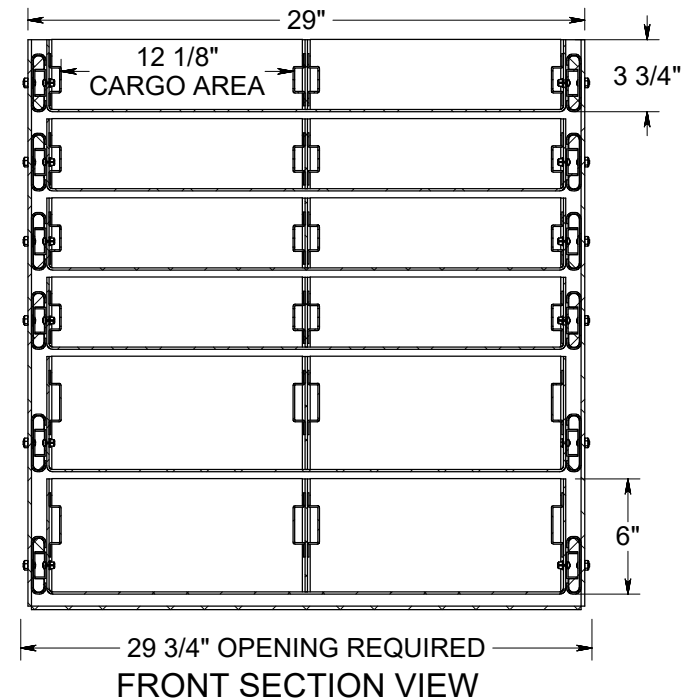
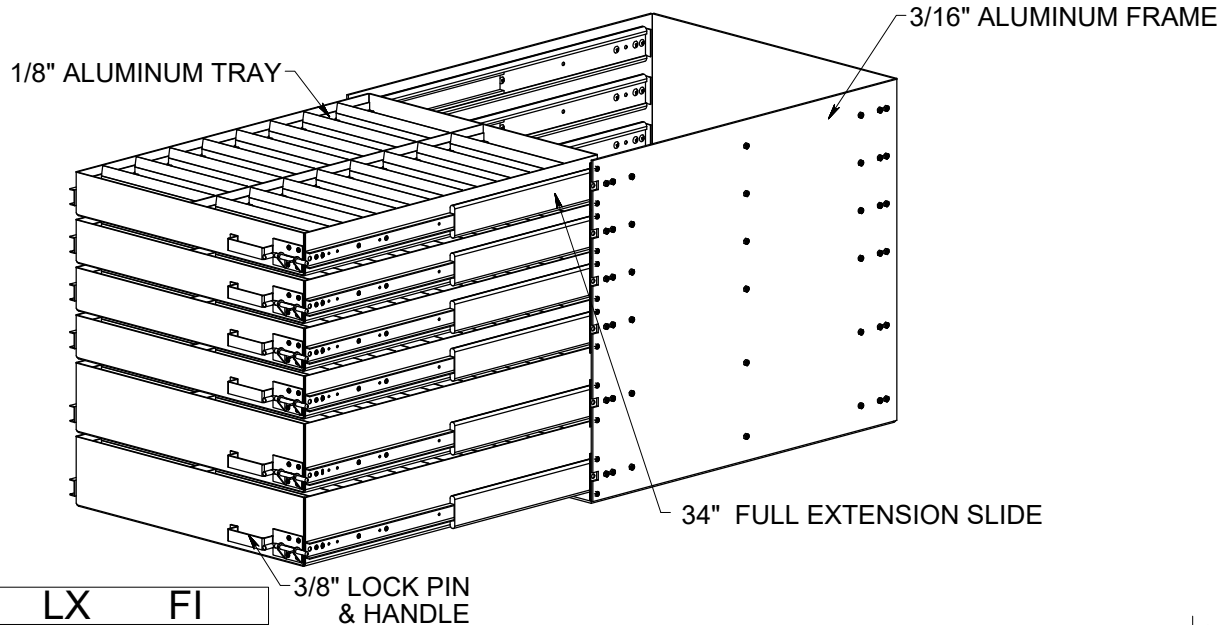


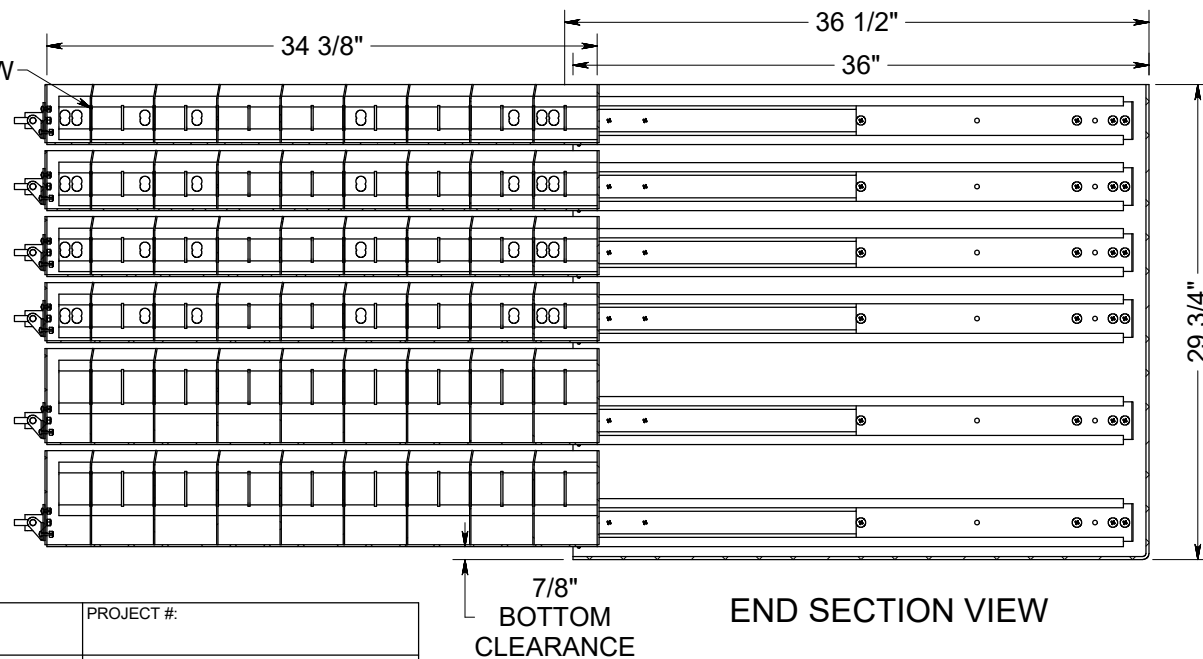
REVISIONS		
REV.	DESCRIPTION	DATE
AB	STANDARD RELOCATION OF LOCK PIN & HANDEL TO RIGHT SIDE OF DRAWER	12-2-2020



PC LX FI

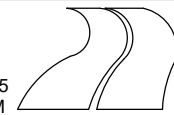
3/8" LOCK PIN & HANDLE

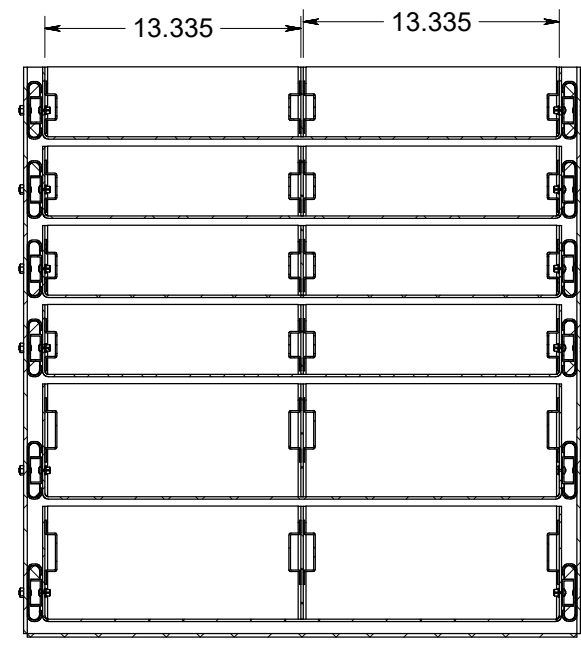
8 DIVIDERS PER ROW



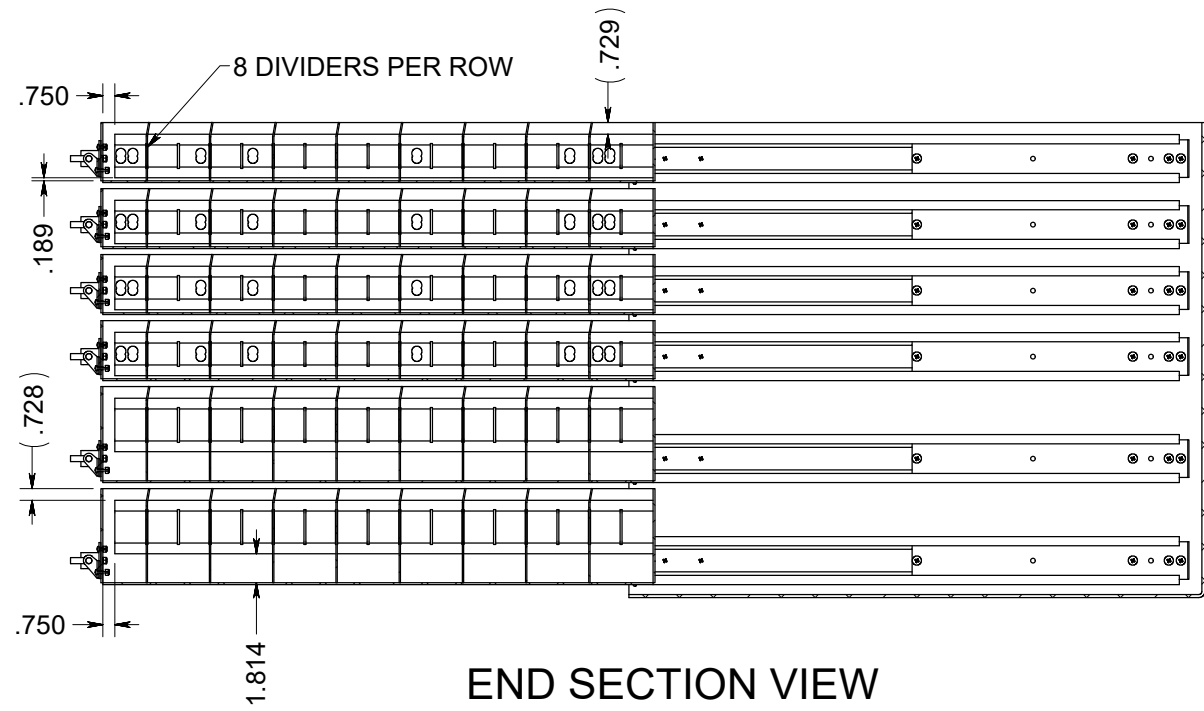
MATERIAL:		ALUMINUM		PROJECT #:
FINISH:		SMOOTH		
REVISION:	APVL BY:	ENG DATE:		
AB	DAL	03/01/2018		
	SALE BY:			
Ov1				

HIGHWAY PRODUCTS
1-800-TOOL BOX
FAX 1-800-465-9545
800TOOLBOX.COM





FRONT SECTION VIEW



END SECTION VIEW