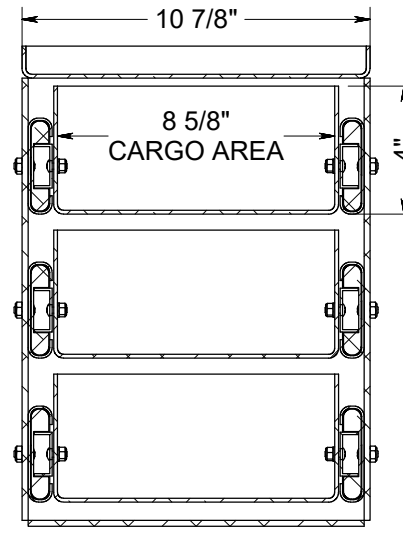
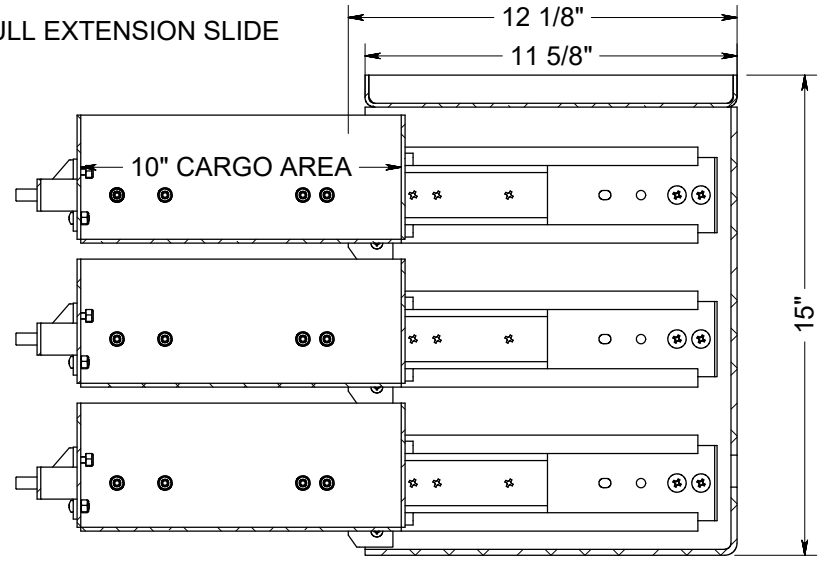


PC LX FI



11 5/8" OPENING REQUIRED

FRONT SECTION VIEW



END SECTION VIEW

MATERIAL:		ALUMINUM		PROJECT #:	2244
FINISH:		SMOOTH			
REVISION:	APVL BY:	ENG DATE:			
AA	DAL	10/26/2018			
Ov1					