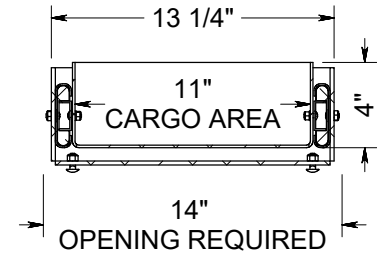
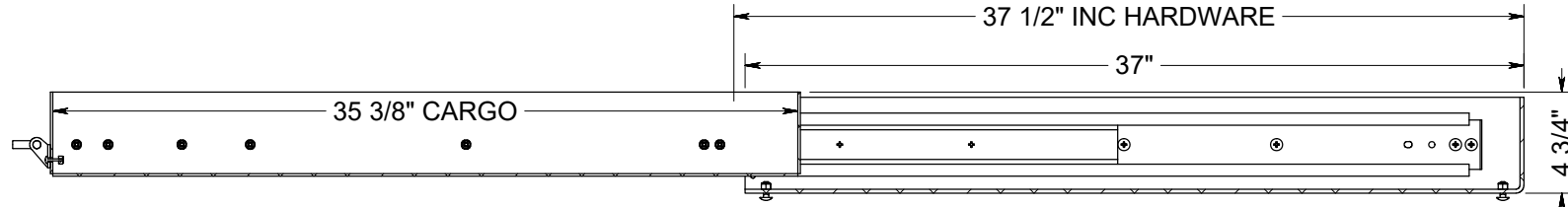


REVISIONS

REV.	DESCRIPTION	DATE
AB	MOVED LOCK TO RH ONLY	5/25/2021

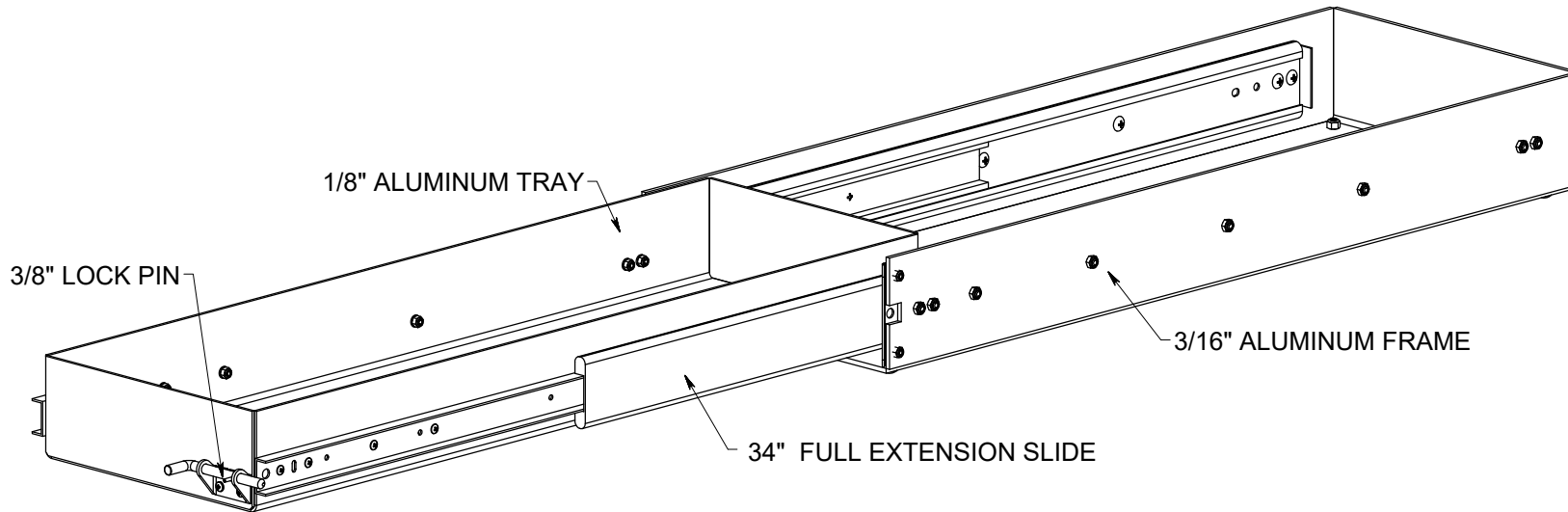


FRONT SECTION VIEW



END SECTION VIEW

PC LX FI



MATERIAL:		<b>ALUMINUM</b>		PROJECT #:	<b>2824</b>
FINISH:		<b>SMOOTH</b>		DRAWN BY:	
REVISION:	APVL BY:	ENG DATE:			
<b>AB</b>	MSF	08/01/2019			
Ov1					

