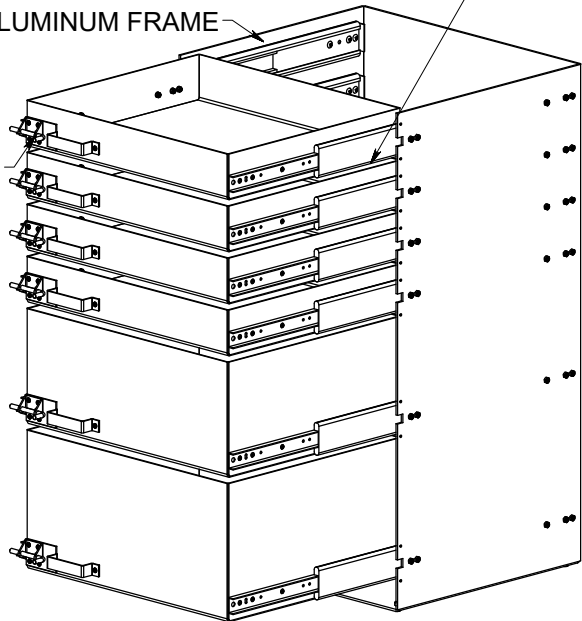
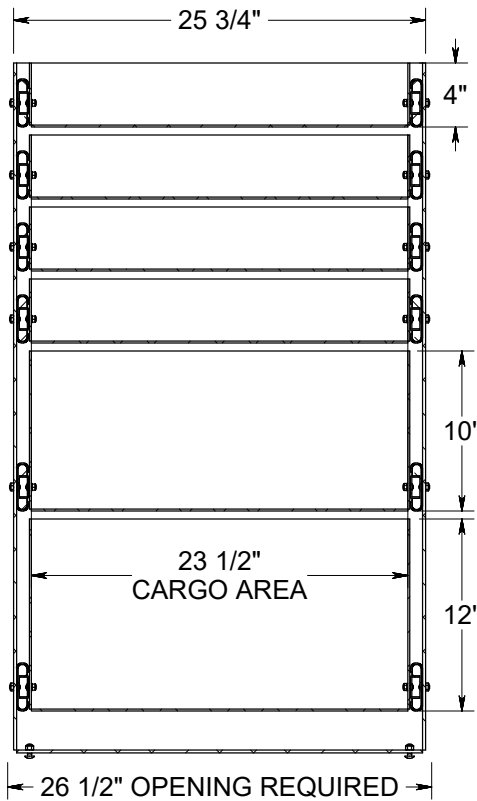


3/16" ALUMINUM FRAME
20" FULL EXTENSION SLIDE

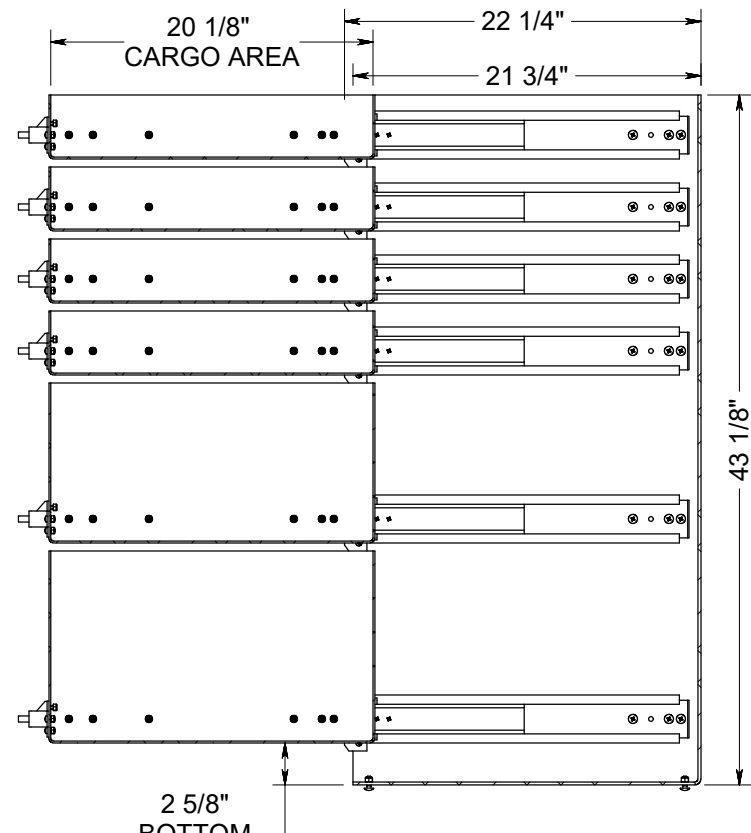
3/8" LOCK PIN & HANDLE



PC LX FI



FRONT SECTION VIEW



END SECTION VIEW

MATERIAL:		ALUMINUM		PROJECT #:	2825
FINISH:		SMOOTH			
REVISION:	APVL BY:	ENG DATE:			
AA	CSM	08/26/2019			
Ov1					

HIGHWAY PRODUCTS
 1-800-TOOL BOX
 FAX 1-800-465-9545
 800TOOLBOX.COM

