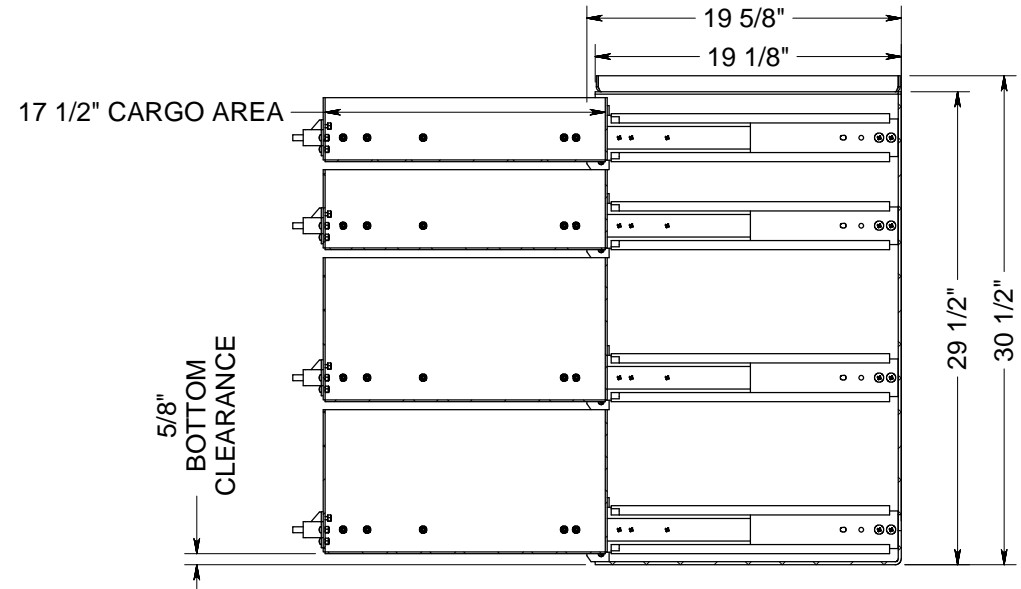
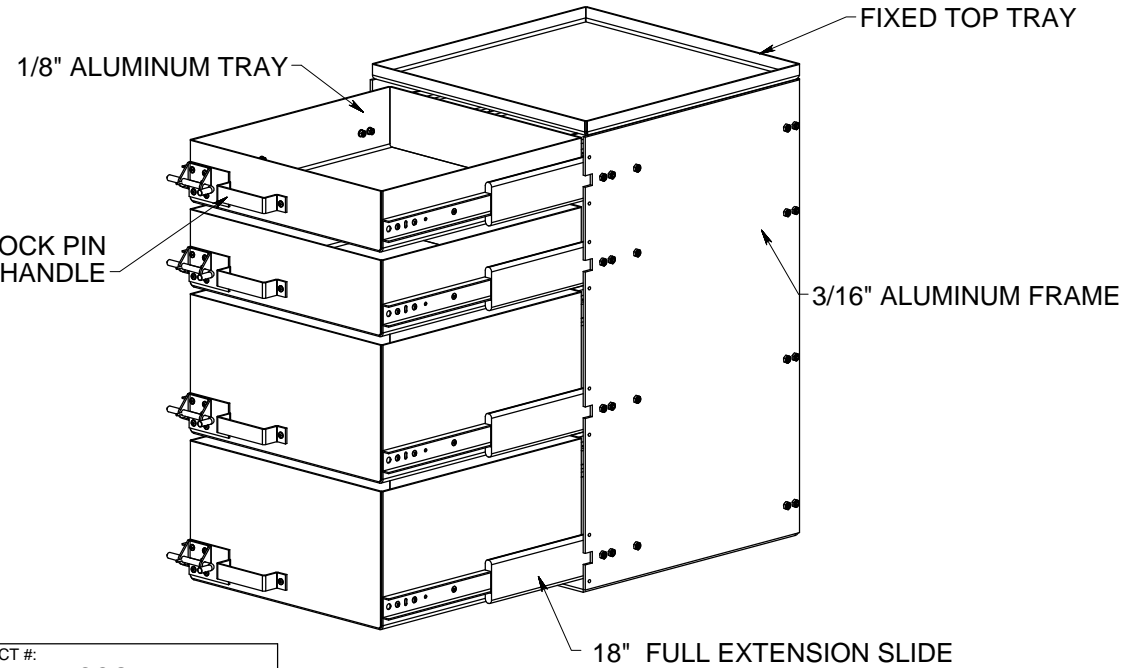


FRONT SECTION VIEW



END SECTION VIEW

PC LX FI



MATERIAL:		3/16" ALUMINUM		PROJECT #:	2987
FINISH:		SMOOTH			
REVISION:	APVL BY:	ENG DATE:			
AA	JMG	11/05/2019			
Ov1					

