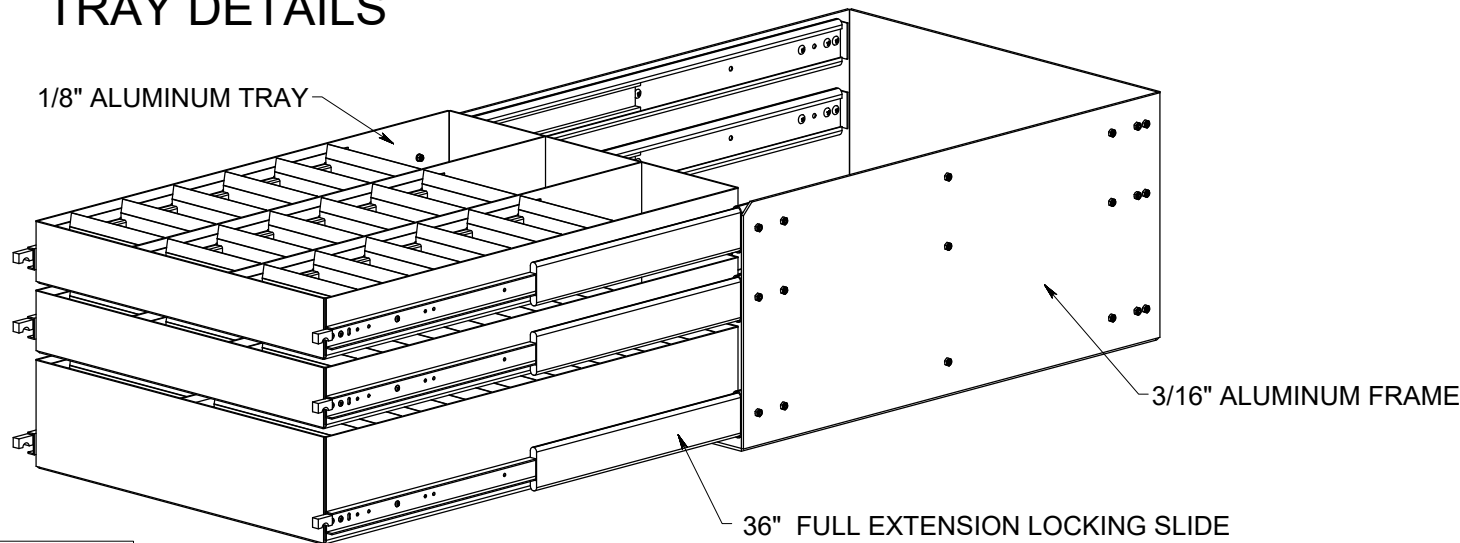
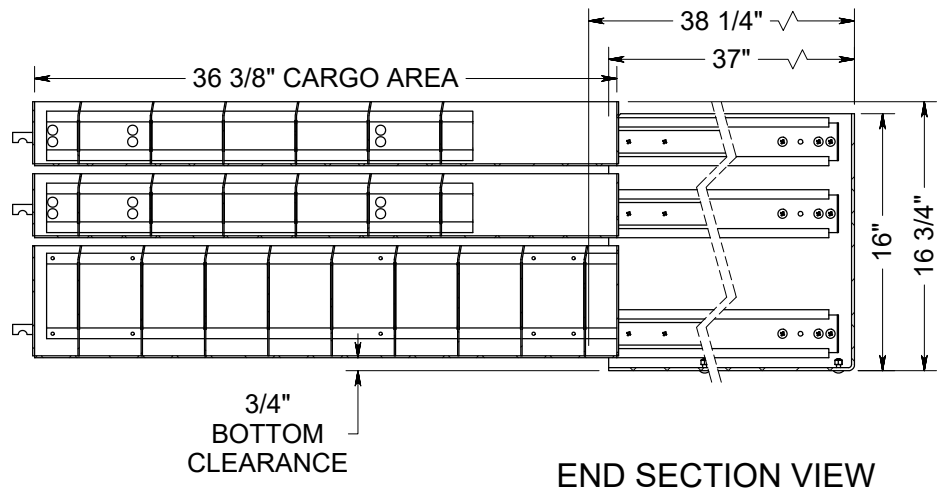
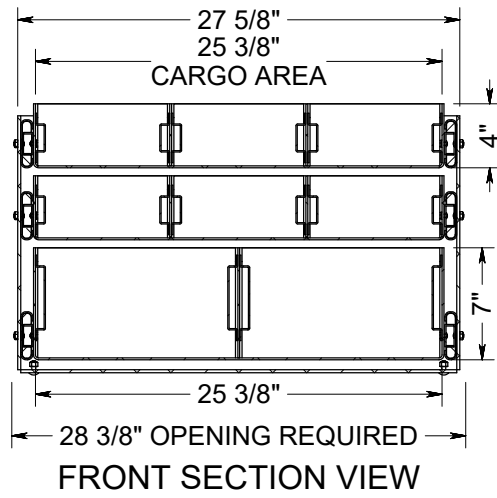


**NOTE:  
1 YEAR MANUFACTURER  
WARRANTY ON LOCKING SLIDES**

**SEE FOLLOWING PAGES FOR  
TRAY DETAILS**

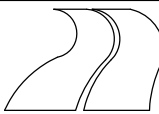


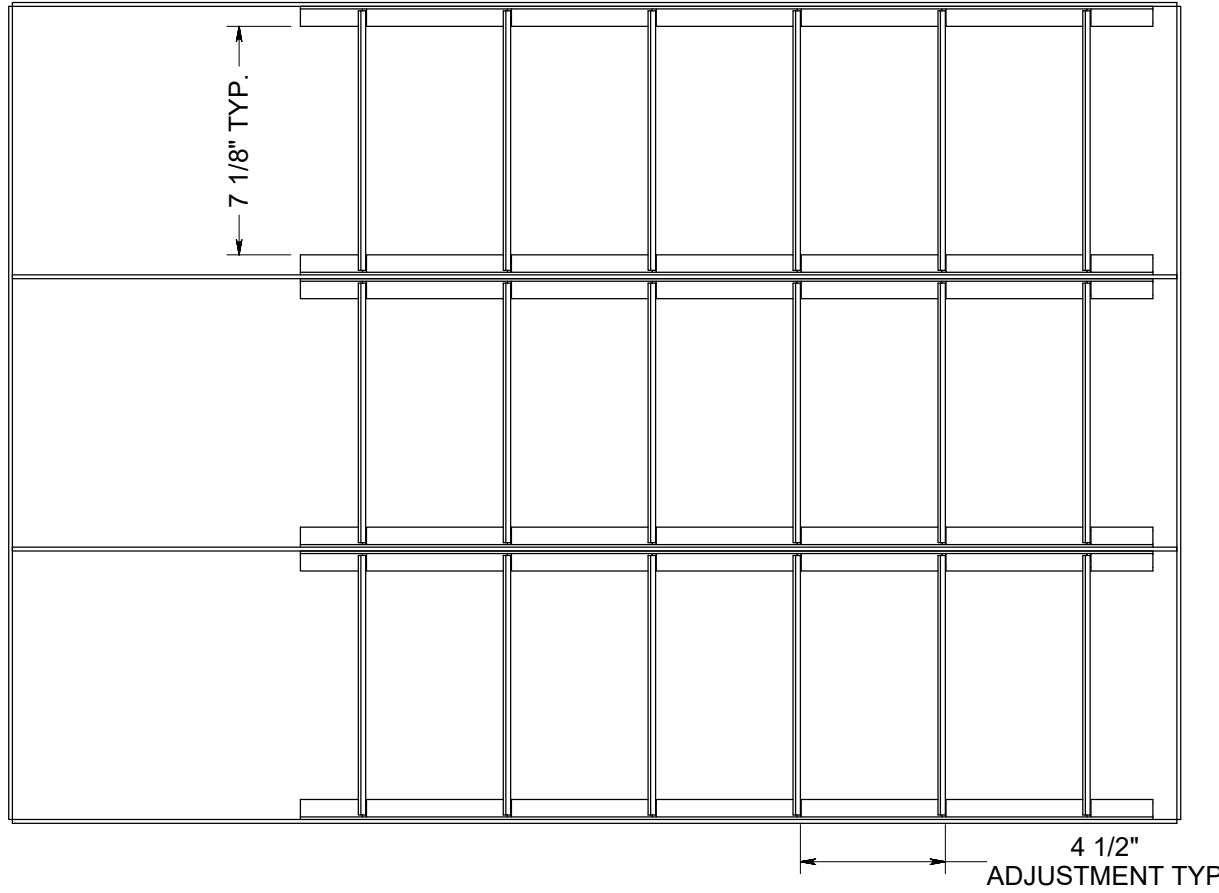
PC LX FI



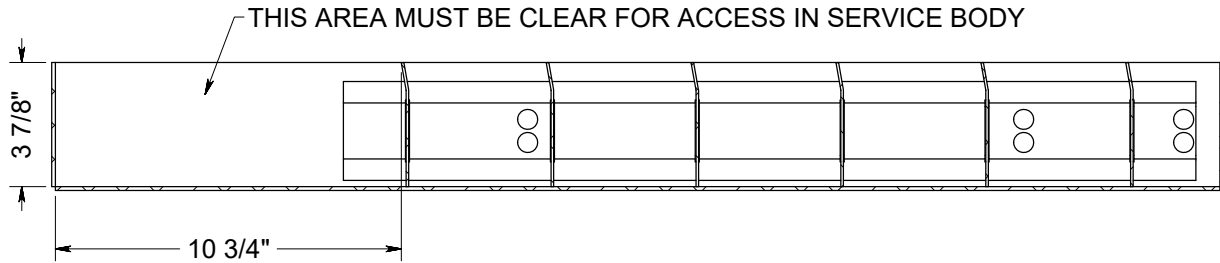
MATERIAL:		<b>ALUMINUM</b>		PROJECT #:		<b>3329</b>	
FINISH:		<b>SMOOTH</b>					
REVISION:	APVL BY:	ENG DATE:					
<b>AA</b>	EBF	07/22/2020					
Ov1							

**RV SLIDE FOR SERVICE BODY**

**HIGHWAY PRODUCTS**  
 1-800-TOOL BOX  
 FAX 1-800-465-9545  
 800TOOLBOX.COM
 



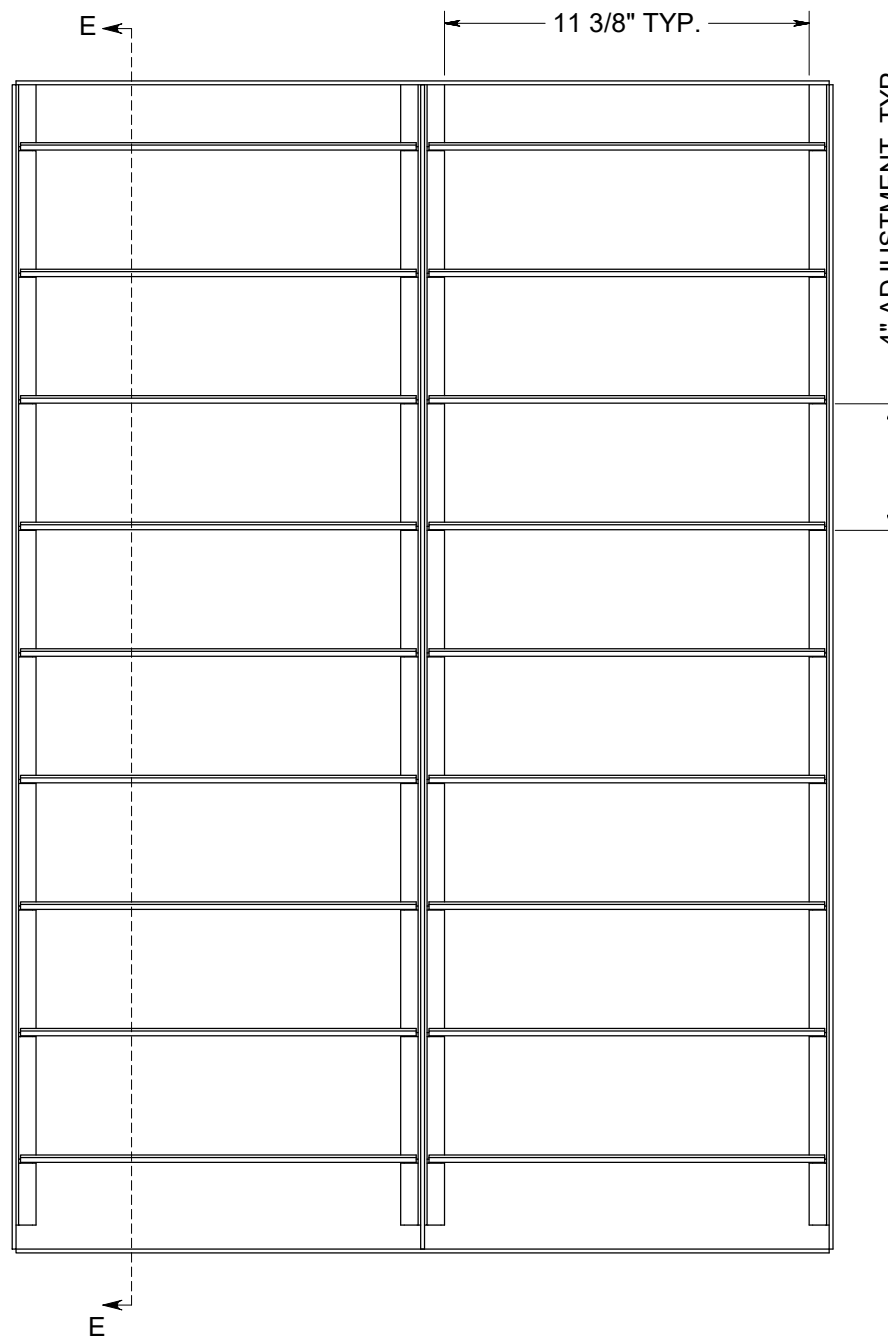
TOP DRAWER TOP VIEW



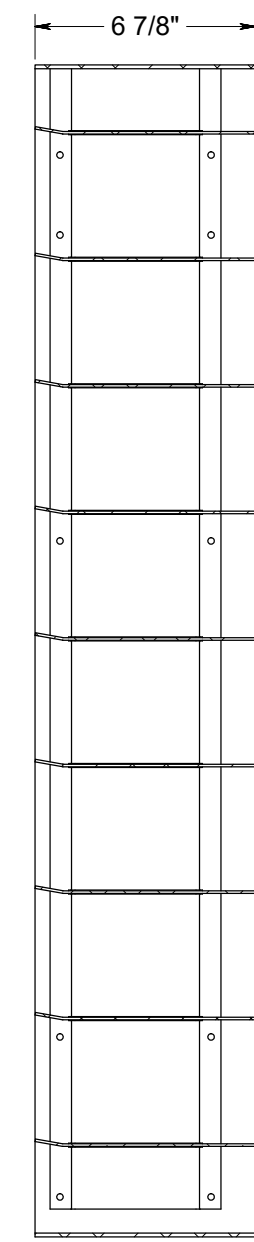
TOP DRAWER SIDE SECTION VIEW

APPROVAL SIGNATURE \_\_\_\_\_

ESTIMATED LEAD TIME DOES NOT START UNTIL WE RECEIVE THIS PRINT WITH YOUR APPROVAL SIGNATURE ON IT WITH NO CHANGES



BTM DRAWER TOP VIEW



BTM DRAWER SIDE SECTION VIEWS

SECTION E-E

APPROVAL SIGNATURE \_\_\_\_\_

ESTIMATED LEAD TIME DOES NOT START UNTIL WE RECEIVE THIS PRINT WITH YOUR APPROVAL SIGNATURE ON IT WITH NO CHANGES