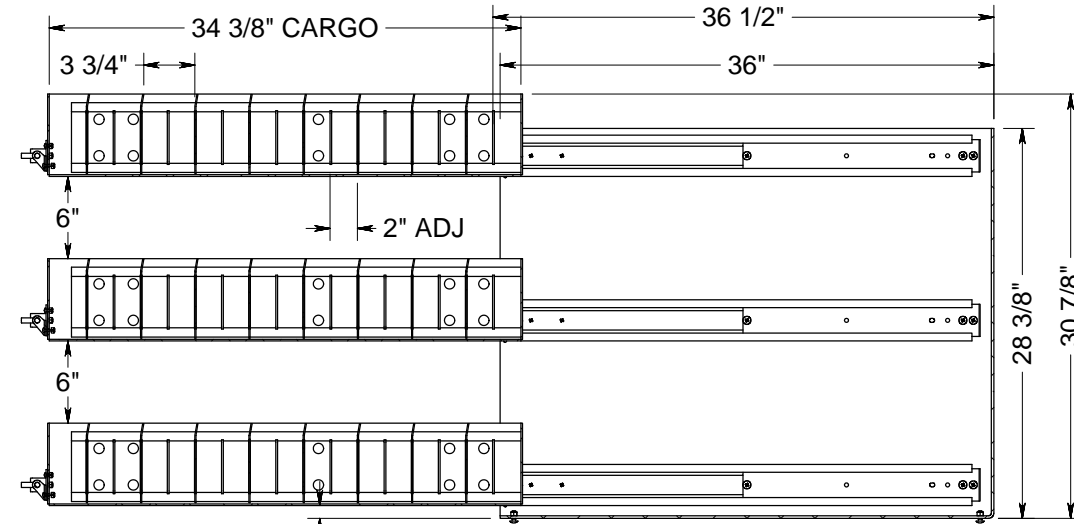
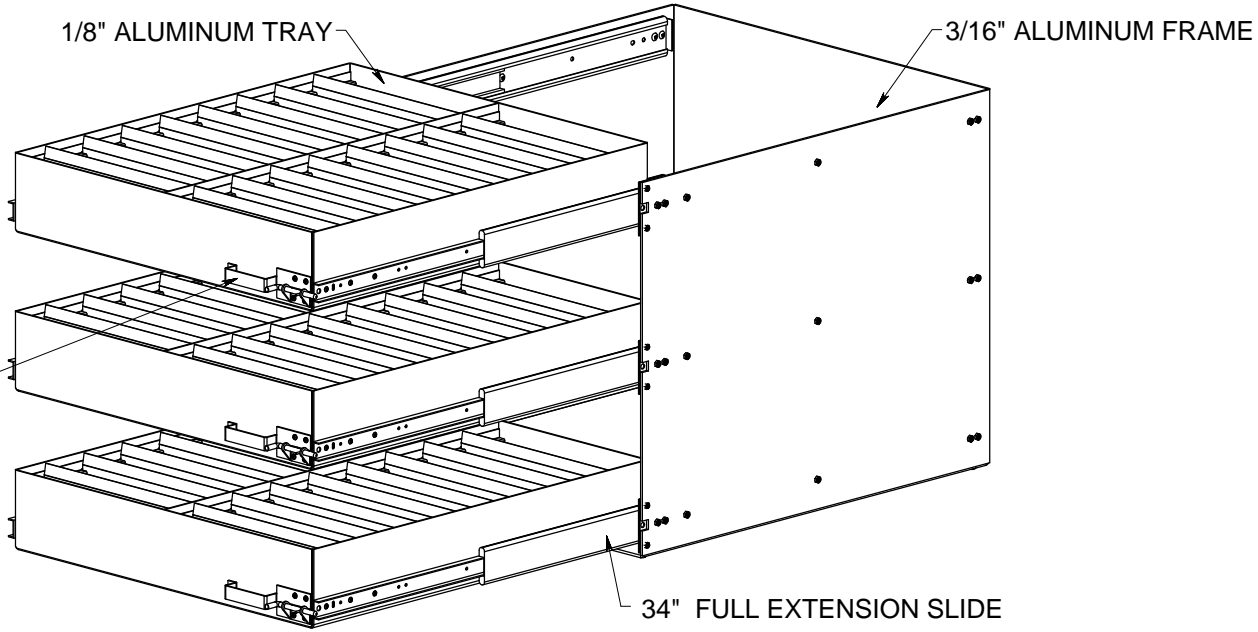


FRONT SECTION VIEW



END SECTION VIEW

PC LX FI



MATERIAL: <b>3/16" ALUMINUM</b>		PROJECT #: <b>3520</b>
FINISH: <b>SMOOTH</b>		DRAWN BY:
REVISION: <b>AA</b>	APVL BY: <b>JMG</b>	ENG DATE: <b>01/05/2021</b>
Ov1		